



Non-Clog Submersible Pump

Type DML

APPLICATIONS

- Sewage
- Waste Water
- Effluent
- Dewatering

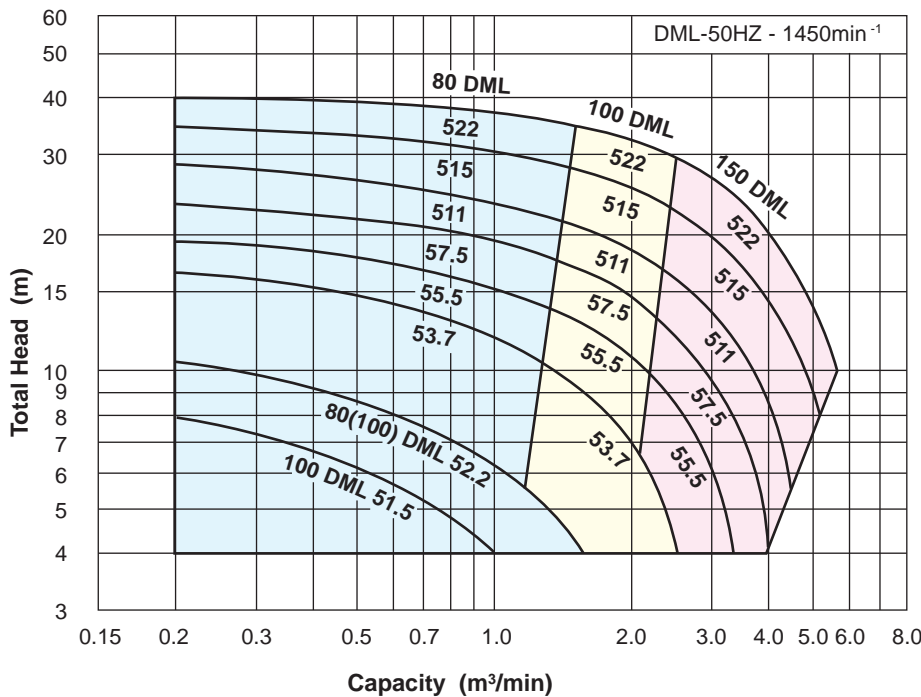
- ✓ Single Channel Impeller (Type M)
- ✓ Permit 76mm Solid Passage
- ✓ Robust EBARA Design

FEATURES

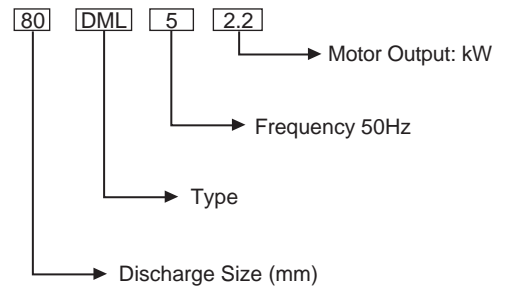
- Non-clog, single channel impeller has 76mm (3") spherical passage; prevents clogging; high efficiency and saves energy.
- Robust construction - large diameter, short overhang shaft with stainless steel fasteners.
- Double mechanical seals - hard faced upper and lower seals operate in an oil bath; providing longer service life and lower maintenance costs.
- Air-filled, Class F insulated, heavy duty motor, operates cooler with higher efficiencies.
- High quality stainless steel shaft; provides high tensile strength, corrosion resistance.
- Options available :
 - Pump with IE3 version : DML3
 - Dry-pit pump version : DDML



PERFORMANCE CHART



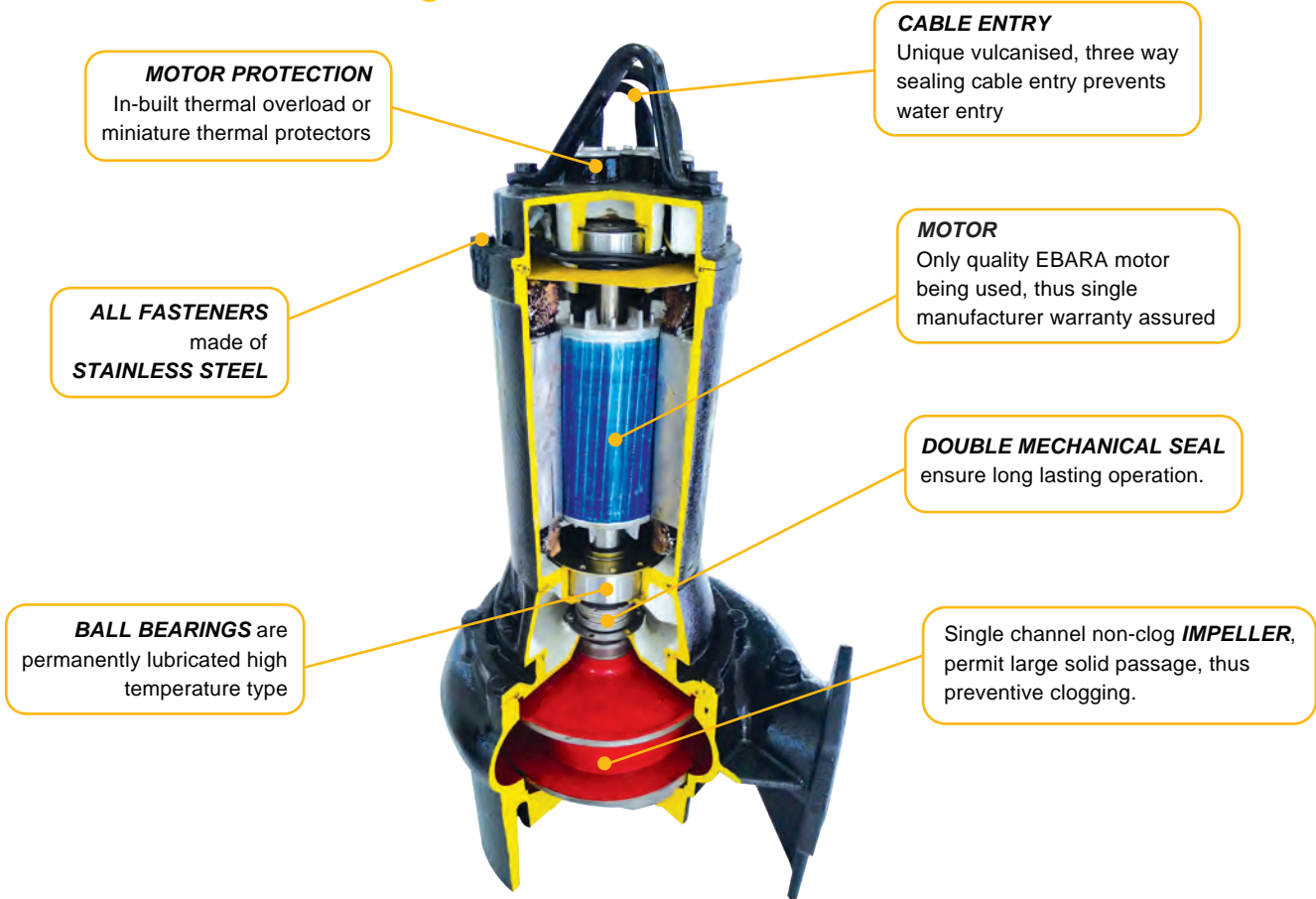
MODEL CODE



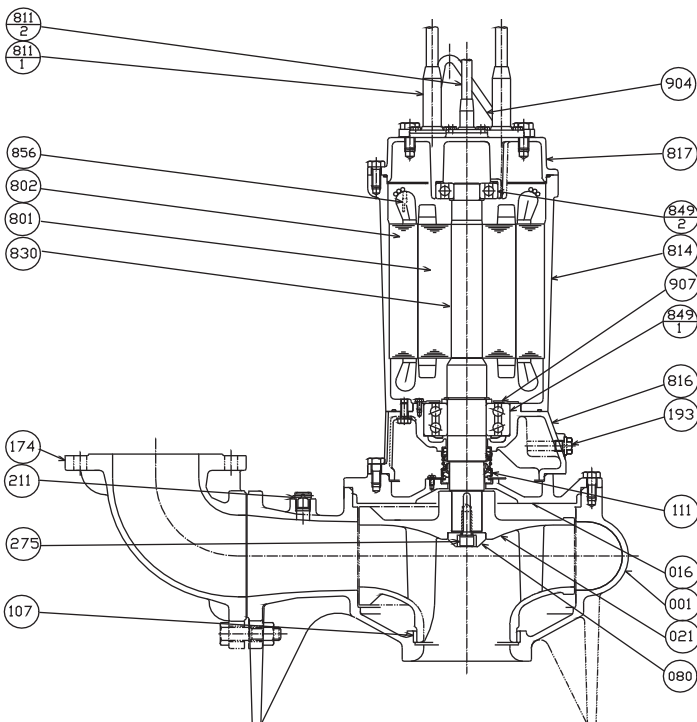
SPECIFICATIONS

Pump			
Liquid Handled	Type of liquid	Sewage, Wastewater	
	Temperature	0°C~40°C	
	Min solids size	76mm	
Maximum Submergence		8m	
Minimum Submergence		Refer to water level (L.W.L.) in dimensions It is possible to operate at low water level for 30min	
Synchronous Speed		1500min ⁻¹	
Construction	Mechanical seal	Double mechanical seal	
	Impeller	Single channel, non-clog	
	Bearing	Pre-lubricated bearing	
Material	Casing	Cast iron	
	Impeller	Cast iron	
	Shaft	403 Stainless steel	
	Mechanical Seal	Impeller side	Silicon carbide
		Motor side	Ceramic / Carbon
O-ring		NBR	
Motor			
Type	4 pole, air-filled watertight		
Insulation	Class F		
Protection	Built-in overload protector (1.5, 2.2kW) ; Built-in temperature detector protection (3.7 - 22kW)		
Accessories			
Standard	Submersible cable: 10m		
Optional	Quick discharge connector, Leakage detector (Electrode type) Dry pit type (DDML)		

TECHNICAL FEATURES



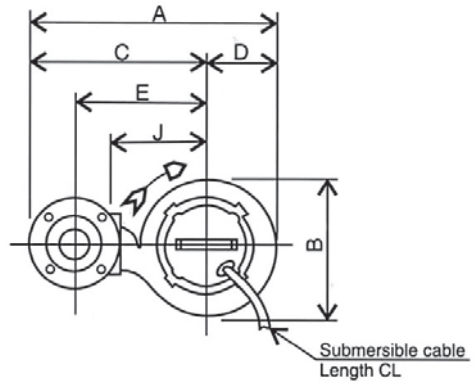
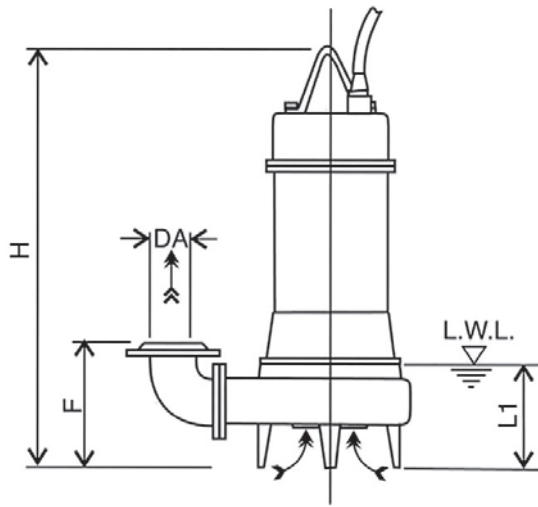
SECTIONAL VIEW



Item Number	Description	Material	Quantity per unit
001	Pump Casing	FC2001 Cast iron	1
016	Mechanical Seal Cover	FC200 Cast iron	1
021	Impeller	FC200 Cast Iron	1
080	Bushing	SS Steel	1
107	Wearing Ring	BC Bronze	1
111	Mechanical Seal		1
174	Discharge Pipe	FC200 Cast iron	1
193	Oil Plug	NBR/Stainless Steel	1 set
211	Airvent Valve	C3604 Brass	1
275	Impeller Bolt	SUS304 Stainless Steel	1
801	Rotor		1
802	Stator		1
811-1	Submersible Cable (Power)		2
811-2	Submersible Cable (signal)		1
814	Motor Frame	FC200 Cast Iron	1
816	Power Side Bracket	FC200 Cast Iron	1
817	Opposite Side Bracket	FC200 Cast Iron	1
830	Shaft	SUS403 Stainless Steel	1
849-1	Ball Bearing		1
849-2	Ball Bearing		1
856	Thermal Protector		3
904	Lifting Hanger	SS Steel	1
907	Bearing Cover	SPCC Steel	1

* This sectional view shows typical construction.

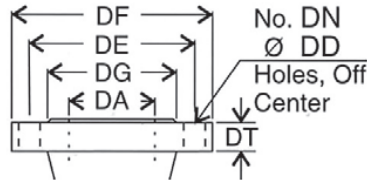
DIMENSION



Note:

- 1/. L.W.L. (Low Water Level) is limited to 10 minutes operation at low water level.
- 2/. Is limited to 30 minutes operation with water level below top of motor.

Discharge Flange Dimensions (JIS 10kgf/cm²)



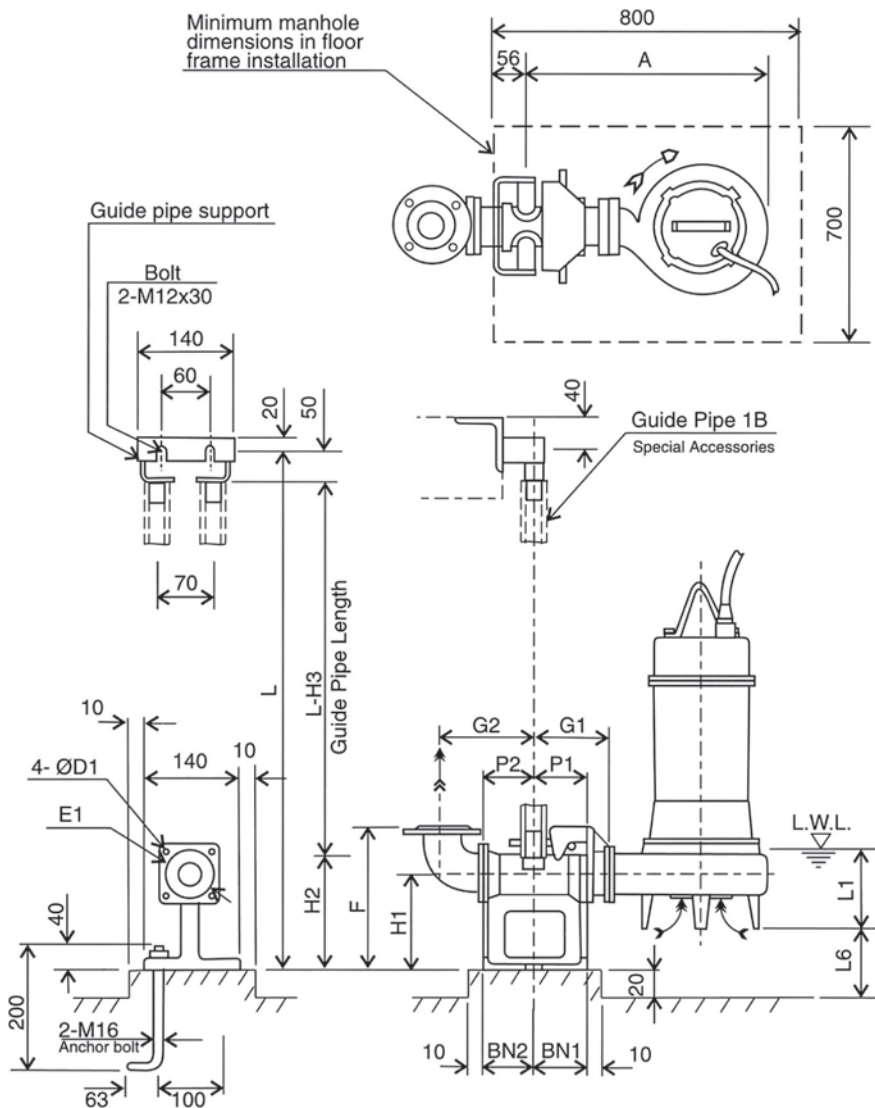
DA	DE	DF	DG	DT	DN	DD
80	150	185	126	18	8	15
100	175	210	151	20	8	15
150	240	280	212	22	8	19

Size	Model	Output kW	A	B	C	D	E	F	H	J	L1	CL (m)	Weight kg
80	80 DML 52.2	2.2	534	320	378	157	285	298	668	210	278	10	80
	80 DML 53.7	3.7	534	320	378	157	285	298	727	210	279	10	87
	80 DML 55.5	5.5	640	381	453	188	360	334	824	255	310	10	118
	80 DML 57.5	7.5	640	381	453	188	360	334	824	255	310	10	123
	80 DML 511	11	734	455	513	221	420	350	938	315	329	10	157
	80 DML 515	15	734	455	513	221	420	350	938	315	329	10	163
	80 DML 522	22	777	497	533	245	440	353	1021	335	332	10	223
100	100 DML 51.5	1.5	577	320	420	157	315	313	668	210	279	10	81
	100 DML 52.2	2.2	577	320	420	157	315	313	668	210	279	10	81
	100 DML 53.7	3.7	577	320	420	157	315	313	727	210	279	10	89
	100 DML 55.5	5.5	653	381	465	188	360	334	824	255	310	10	121
	100 DML 57.5	7.5	653	381	465	188	360	334	824	255	310	10	125
	100 DML 511	11	746	455	525	221	420	350	938	315	329	10	160
	100 DML 515	15	746	455	525	221	420	350	938	315	329	10	166
	100 DML 522	22	790	497	545	245	440	353	1021	335	332	10	226
150	150 DML 55.5	5.5	713	381	525	188	385	369	824	255	310	10	127
	150 DML 57.5	7.5	713	381	525	188	385	369	824	255	310	10	132
	150 DML 511	11	806	455	585	221	445	385	938	315	329	10	166
	150 DML 515	15	806	455	585	221	445	385	938	315	329	10	172
	150 DML 522	22	850	497	605	245	465	388	1021	335	332	10	232

Units: mm unless otherwise specified

DIMENSION WITH QDC

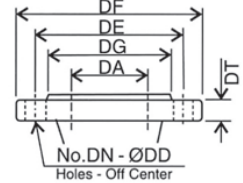
Applicable Models - 80 52.2, 53.7



Note:

1. For detailed dimensions of the pumps, refer to separate dimension data sheets.
2. The discharge bend and companion flange supplied with the pump are used with the QDC.
3. The weight in dimension tables refers only to the weight of the QDC.
4. Standard accessories supplied with QDC include:-
 - Connector body with foundation bolts
 - Guide pipe support
 - Sliding glide
 - Adaptor flange
 Guide rail is not supplied.

Discharge Flange
(JIS 10kgf/cm)

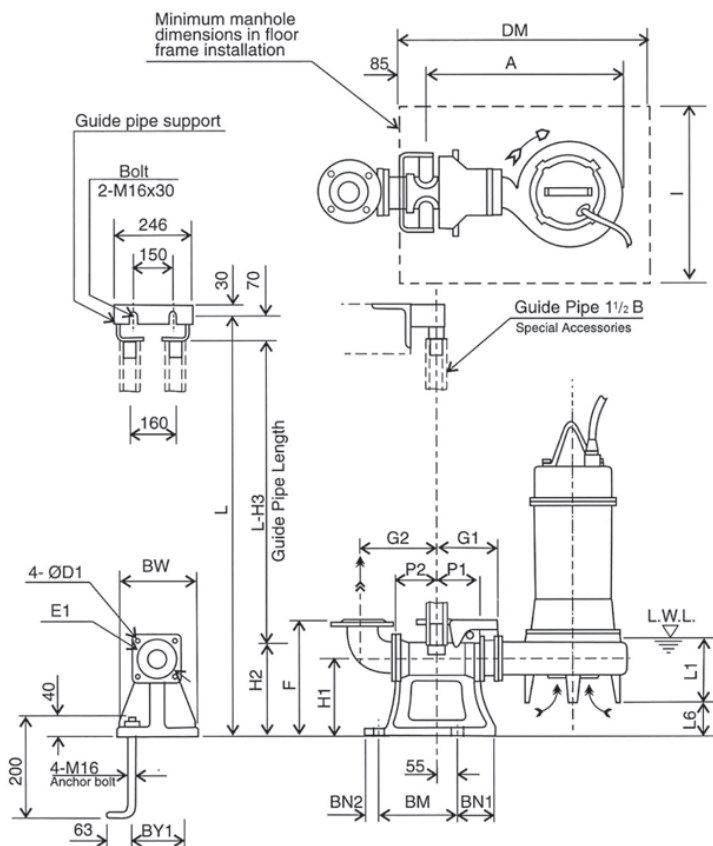


DA	DE	DF	DG	DT	DN	DD
80	150	185	126	18	8	15

Pump Model	Disch. bore	A	P1	P2	G1	G2	F	H1	H2	H3	L1	L6	BN1	BN2	D1	E1	QDC Model	QDC Weight kg
80 DML 52.2	80	492	75	90	125	165	285	175	230	280	279	7	75	90	15	155	LM80	17
80 DML 53.7	80	492	75	90	125	165	285	175	230	280	279	7	75	90	15	155	LM80	17

DIMENSION WITH QDC

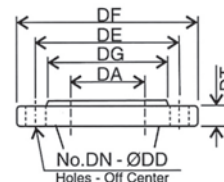
Applicable Models - 80(100)(150) DML



Note:

- For detailed dimensions of the pumps, refer to separate dimension data sheets.
- The discharge bend and companion flange supplied with the pump are used with the QDC.
- The weight in dimension tables refers only to the weight of the QDC.
- Standard accessories supplied with QDC include:-
 - Connector body with foundation bolts
 - Guide pipe support
 - Sliding glide
 - Adaptor flange
 Guide rail is not supplied.

Discharge Flange
(JIS 10kgf/cm)



DA	DE	DF	DG	DT	DN	DD
80	150	185	126	18	8	15
100	175	210	151	20	8	15
150	240	280	212	22	8	19

Pump	Dish. bore	A	P1	P2	G1	G2	F	H1	H2	H3	L1	L6	BN1	BN2	BM	BY1	BW	DM	I	D1	E1	QDC Model	QDC Weight kg
80 DML 55.5	80	628	105	105	185	210	365	240	265	335	310	31	100	40	220	180	230	800	700	19	175	LL100	46
80 DML 57.5	80	628	105	105	185	210	365	240	265	335	310	31	100	40	220	180	230	800	700	19	175	LL100	46
80 DML 511	80	721	105	105	185	210	365	240	265	335	329	15	100	40	220	180	230	1000	700	19	175	LL100	46
80 DML 515	80	721	105	105	185	210	365	240	265	355	329	15	100	40	220	180	230	1000	700	19	175	LL100	46
80 DML 522	80	765	105	105	185	210	365	240	265	335	332	12	100	40	220	180	230	1000	700	19	175	LL100	46
100 DML 51.5	100	552	105	105	185	210	365	240	255	325	279	52	100	40	220	180	230	800	700	19	155	LL100	46
100 DML 52.2	100	552	105	105	185	210	365	240	255	325	279	52	100	40	220	180	230	800	700	19	155	LL100	46
100 DML 53.7	100	552	105	105	185	210	365	240	255	325	279	52	100	40	220	180	230	800	700	19	155	LL100	46
100 DML 55.5	100	628	105	105	185	210	365	240	265	335	310	31	100	40	220	180	230	800	700	19	175	LL100	46
100 DML 57.5	100	628	105	105	185	210	365	240	265	335	310	31	100	40	220	180	230	800	700	19	175	LL100	46
100 DML 511	100	721	105	105	185	210	365	240	265	335	329	15	100	40	220	180	230	1000	700	19	175	LL100	46
100 DML 515	100	721	105	105	185	210	365	240	265	335	329	15	100	40	220	180	230	1000	700	19	175	LL100	46
100 DML 522	100	765	105	105	185	210	365	240	265	335	332	12	100	40	220	180	230	1000	700	19	175	LL100	46
150 DML 55.5	150	628	105	105	185	235	400	240	265	335	210	21	100	40	220	180	230	800	700	19	175	LL100	46
150 DML 57.5	150	628	105	105	185	235	400	240	265	335	310	31	100	40	220	180	230	800	700	19	175	LL100	46
150 DML 511	150	721	105	105	185	235	400	240	265	335	329	15	100	40	220	180	230	1000	700	19	175	LL100	46
150 DML 515	150	721	105	105	185	235	400	240	265	335	329	15	100	40	220	180	230	1000	700	19	175	LL100	46
150 DML 522	150	765	105	105	185	235	400	240	265	335	332	12	100	40	220	180	230	1000	700	19	175	LL100	46

Units: mm unless otherwise specified

* Dimensional details are provided for reference only.
* All specifications are subject to change without prior notice.



EBARA Pumps Malaysia Sdn Bhd
6, Jalan TP3, UEP Subang Jaya Industrial Park,
47620 Subang Jaya, Selangor, Malaysia.
Tel : 03-8023 6622 Fax : 03-8023 9355
Email : sales@ebara.com.my
Website : www.ebara.com.my



Approval No.0048594
Approval No.0049022

Authorised dealer: